

# Installation, operation and maintenance instructions for the Parasol OZGLOW HE 40 Hi/Lo Patio Heater



**Manual compatible with 'J Arm,' 'Straight Arm' and Hanging Frame Models.**

**For more information visit our website at: [www.parasolheaters.com.au](http://www.parasolheaters.com.au)**

## CONTENTS

PRODUCT DESCRIPTION.....	3
IMPORTANT INFORMATION REGARDING UNIT.....	4
IMPORTANT INFORMATION REGARDING UNIT (Cont.).....	5
GAS TYPE .....	6
GENERAL MAINTENANCE .....	6
DIMENSIONS and COMPONENTS.....	7
UNIT CLEARANCE .....	9
UNIT CLEARANCE - PATIO RESTAURANT .....	10
HEATER SPACING.....	10
INSTALLATION INSTRUCTIONS - OPTION A.....	11
INSTALLATION INSTRUCTIONS - OPTION B.....	13
POINTS TO REMEMBER .....	15
LIGHTING INSTRUCTIONS .....	16
WIRING DIAGRAM .....	17
GAS VALVE ADJUSTMENT SCREWS DIAGRAM.....	17
WARRANTY .....	18

## PRODUCT DESCRIPTION

This unit is the HE40 model, an outdoor gas heater which is suspended from the ceiling. This is the only Australian manufactured electronically operated patio heater in Australia and can be turned on or off at the flick of a conveniently located switch... which means no more climbing ladders to light your heater.



All of our heaters come with a 12-month domestic or 90-day commercial limited warranty, and are fully serviceable with readily available parts if required. Delivery is available throughout Australia and overseas.

**The suspended gas heater; model HE40 will heat the patio while leaving the floor free of obstruction.**

**This unit features:**

- **40 MJ/h input gas rate for Natural Gas, and 42 MJ/h for Propane Gas**
- **100% safety control**
- **Available with 24 volt control**
- **Corrosion resistant construction**
- **IAPMO GMK 10286**
- **Attractive hanging frame**

## IMPORTANT INFORMATION REGARDING UNIT



This heater must be installed to the requirements of the local authorities both gas and electrical. The installation must comply with the gas installation code AS/NZS 5601.



The fitting of the transformer and wiring to the appliance must comply with the national wiring code and must be performed by a licensed electrician.

Each heater must be fitted with its own high/low switch and this switch must be isolated from all other sources of electricity. If this is not done a hazardous situation could occur. If more than 1 heater is wired to the same high/low switch the warranty is void.



The OZGLOW HE 40 Hi / Lo patio heater is available in versions for use with either Natural or Propane Gas. Gas pressure details and gas type are on the appliance data plate.



This appliance is certified for outdoor use in both residential and non-residential premises.



This appliance is also certified for non-residential indoor use. When used indoors, the minimum room size is 200m<sup>3</sup>. This appliance must only be used in a well ventilated area.



Do not place articles on or against this appliance. Do not use or store flammable materials near this appliance. Do not spray aerosols in the vicinity of this appliance while it is in operation.

## IMPORTANT INFORMATION REGARDING UNIT (Cont..)



Certain materials or items, when stored under or near the appliance, will be subjected to radiant heat and could be seriously damaged.



Children and adults should be alerted to the hazards of high surface temperatures, burns and clothing ignition.



Young children should be carefully supervised when they are in the area of the appliance.



Clothing or other flammable materials should not be hung from the appliance, or placed on or near the appliance.



Any guard or other protective device removed for servicing the appliance must be replaced prior to operating the appliance.



Installation of appliances fitted to fixed gas supply systems and repair of all appliances must be carried out by a qualified service person.

## GAS TYPE

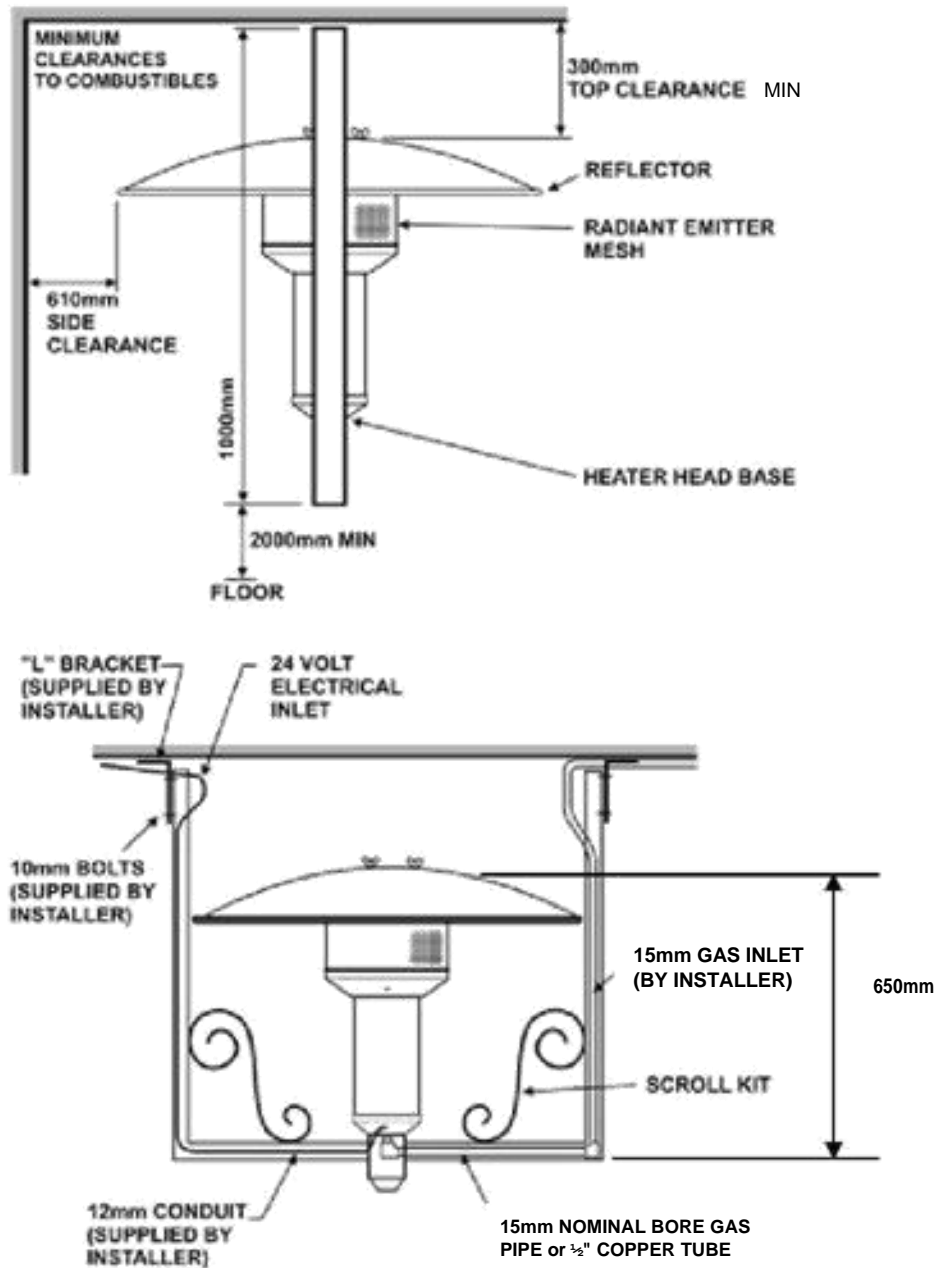
GAS TYPE	NG	PROPANE
TEST POINT HIGH	0.7 kPa	2.6 kPa
PRESSURE LOW	0.4 kPa	1.2 kPa
INJECTORS	3.10mm	1.75mm
IAPMO GMK	10286	

## GENERAL MAINTENANCE

- This OZGLOW heater should be checked at least once each year by a qualified service person.
- More frequent cleaning may be required as necessary.
- Keep this OZGLOW heater free of cobwebs and as dust free as possible.
- If the flame becomes excessively long and yellow, or if soot builds up on the emitter mesh, turn the heater off and call a qualified service person.
- If this OZGLOW heater will not light or cannot be adjusted to operate correctly, contact your local authorised dealer or your local gas authority.

## DIMENSIONS and COMPONENTS

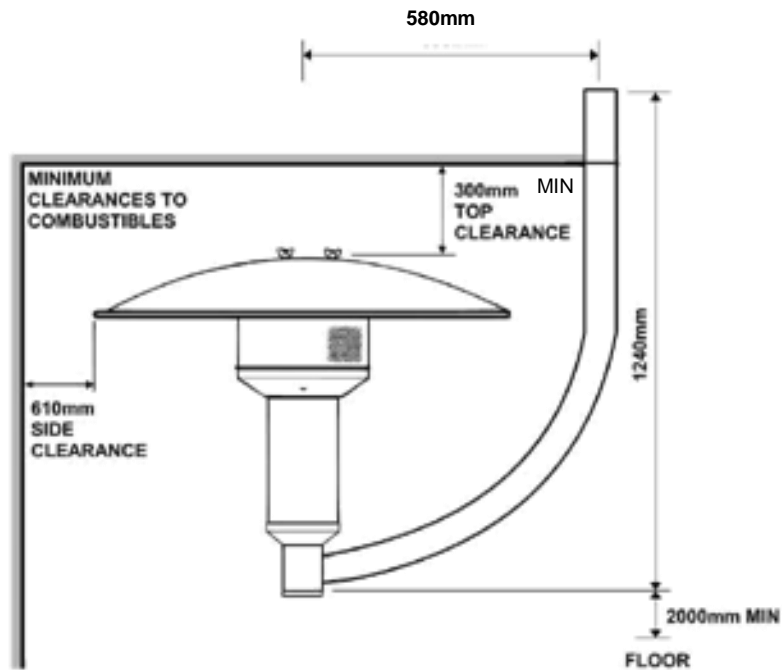
### Hanging Frame Dimensions



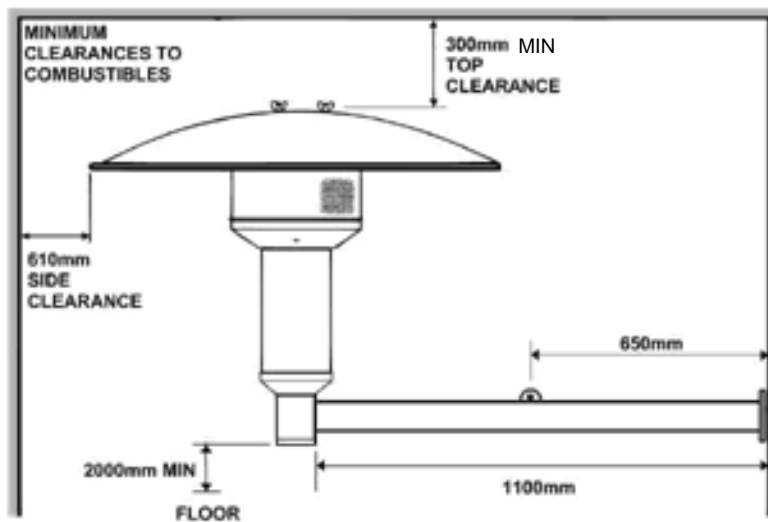
**Overall height 950mm. Overall width 960mm.**

## DIMENSIONS and COMPONENTS (Continued)

'J' Arm Dimensions



Straight Arm Dimensions





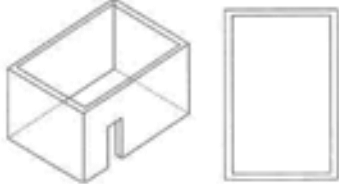
## UNIT CLEARANCE

The OZGLOW heater must have the following clearances from combustible materials: 300mm above, 600mm at the sides and 1200mm below.


This appliance shall only be used in an above ground open-air situation with natural ventilation, without stagnant areas, where gas leakage and products of combustion are rapidly dispersed by wind and natural convection.

***Any enclosure in which the appliance is used shall comply with one of the following:***

An enclosure with walls on all sides, but at least one permanent opening at ground level and no overhead cover.

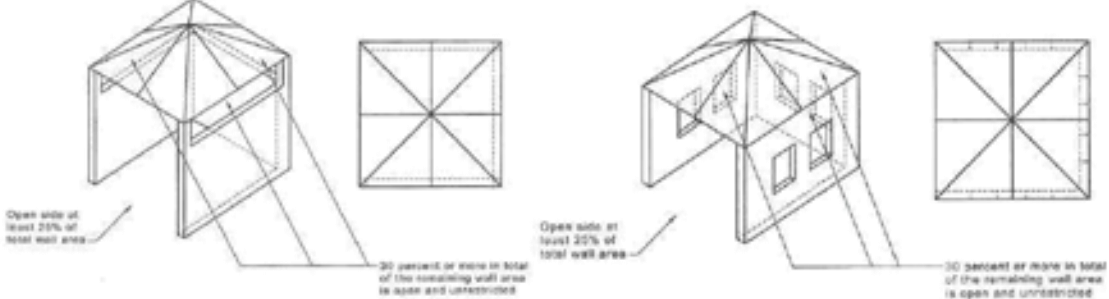


Within a partial enclosure that includes an overhead cover and no more than two walls.



Within a partial enclosure that includes an overhead cover and more than two walls, the following shall apply:

At least 25% of the total wall area is completely open, and  
At least 30% of the remaining wall area is open and unrestricted.



In the case of balconies, at least 20% of the total wall area shall be and remain open and unrestricted.

## UNIT CLEARANCE - PATIO RESTAURANT

Fig. 1:

Illustrates a patio restaurant completely exposed on three sides. For optimum heating results eight heaters are used, located as shown. No air heating efficiency is counted on in this installation.

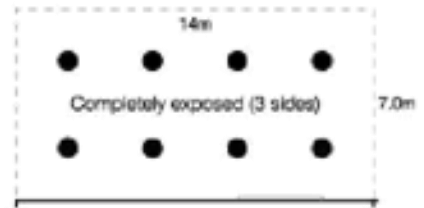
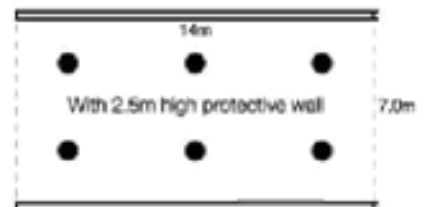
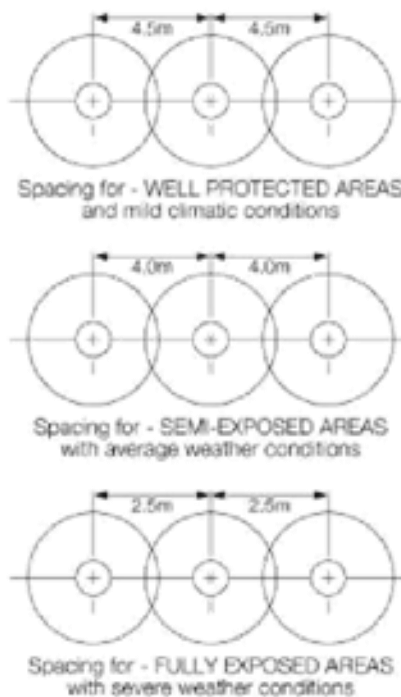


Fig. 2:

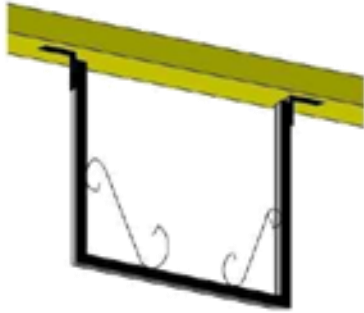
Illustrates the same patio with a 2.5m high protective wall enclosing the patio. Only six heaters are required, for warmed air will remain within the enclosure and compound the direct-radiant warming effect.



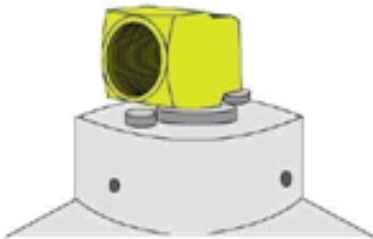
## HEATER SPACING



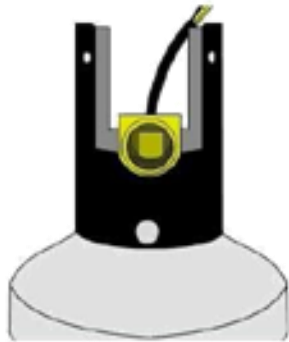
## INSTALLATION INSTRUCTIONS - OPTION A



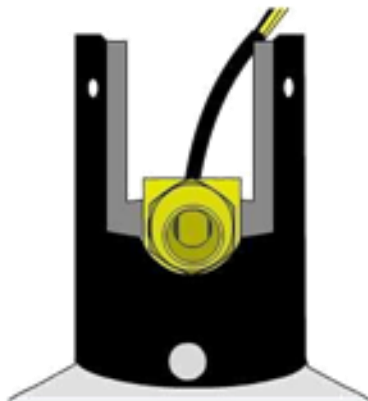
1. Fit the hanging frame to an overhead beam. Ensure that clearances detailed on the data plate are adhered to (Brackets supplied by installer).



2. Screw the 15mm MI x 15mm copper fitting supplied to the gas inlet of the heater and point it at 90 degrees to the front of the heater.

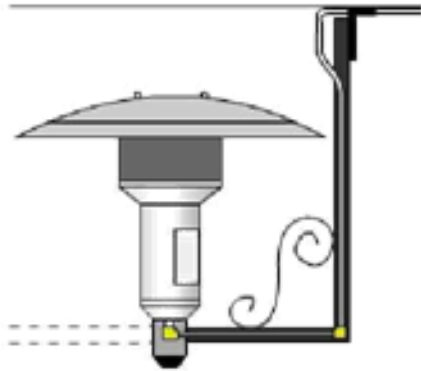


3. Remove the socket assembly from the frame and screw the top half of this assembly to the heater using the screws supplied.

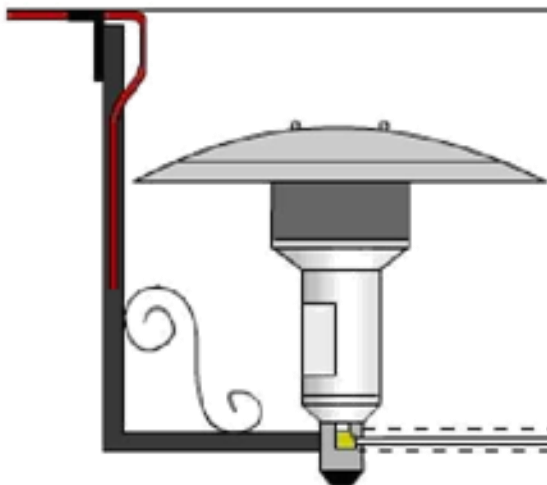


4. Fit the heater head to the bracket and using the screws supplied, fix this to the cone of the bracket.

## INSTALLATION INSTRUCTIONS - OPTION A (Continued)



5. Run a 15mm copper tube or 15mm nominal bore gas line inside the channel of the frame and connect to the heater. For natural gas models, fit the regulator supplied in the gas line.



6. Run the wiring down the inside of the frame and connect to the heater. The wires in the side channel **must** be covered by a heat protective material for at least the area opposite the emitter mesh and reflector. The red and black wires on the heater are to go to the 24 VAC transformer and the yellow wires are to be run to the high / low switch (supplied by the installer).

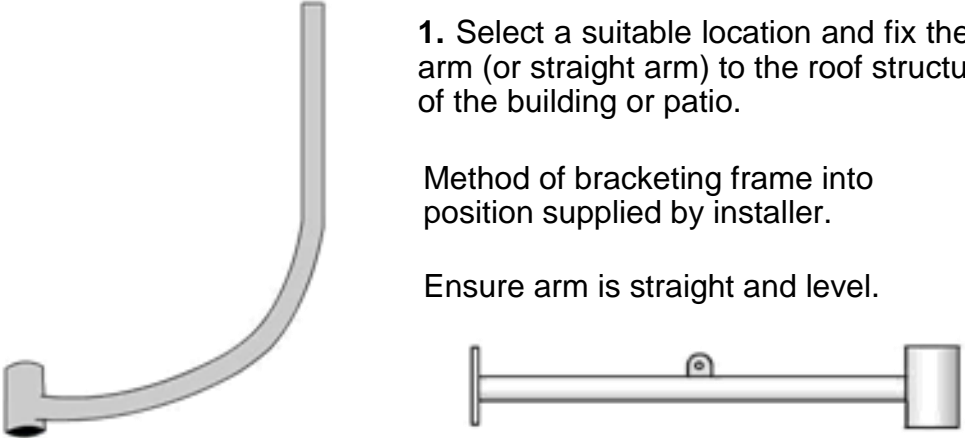
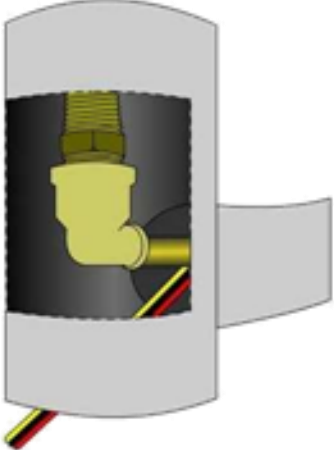
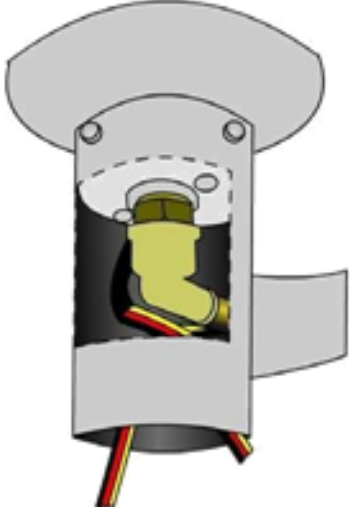
**This appliance is 24 VAC and the transformer MUST be fitted.**

**Refer to warnings on page 4.**

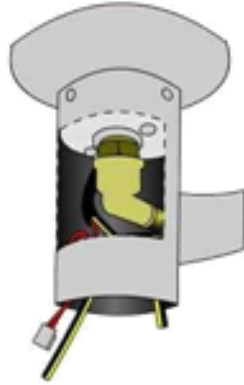
7. Purge the fitting line and light the heater by turning the power on. Lighting instructions are on the data plate (or refer to page 5).

8. Check the burner pressure and adjust if necessary. Pressure details are on the data plate (or refer to page 5).

## INSTALLATION INSTRUCTIONS - OPTION B

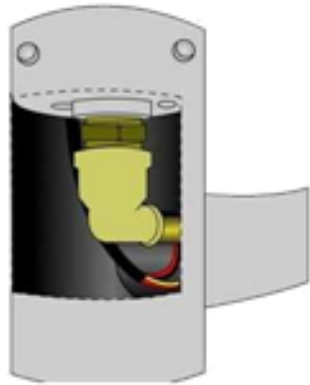
	<p><b>1.</b> Select a suitable location and fix the J arm (or straight arm) to the roof structure of the building or patio.</p> <p>Method of bracketing frame into position supplied by installer.</p> <p>Ensure arm is straight and level.</p>
	<p><b>2.</b> Feed 4 core electrical wire (supplied by installer) down next to the gas pipe and pull through far enough to enable joining these wires to the wires on the heater head.</p>
	<p><b>3.</b> Trim the 4 wires on the heater head to a length of approximately 100 mm.</p> <p>Enter the heater head into the top of the T piece and rotate the head to tighten it onto the hex nipple.</p> <p>Use an approved thread sealant on these joints. Make sure you finish with the screw holes in the heater base lining up with the holes in the T piece.</p> <p>Use the 4 screws provided to fix the heater head to the T piece.</p>

## INSTALLATION INSTRUCTIONS - OPTION B (Continued)

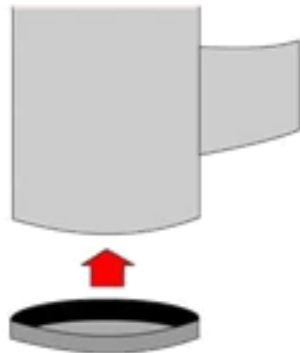


4. Use electrical connectors to join the wires from the heater head to the wires fed down next to the gas pipe.

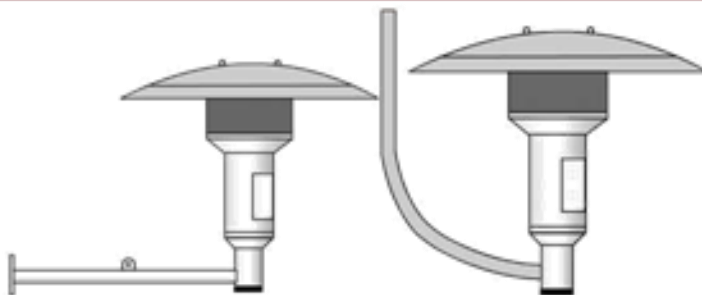
**All wiring in the heater head is 24 VAC.  
Refer to warnings on page 4.**



5. When the wires have been joined together feed the wires back up the pipe until they look as shown in this picture.



6. Fit the black plastic cover to the bottom of the T piece.



7. Fit the reflector.

## POINTS TO REMEMBER

- Check all joins for gas leaks. Use soapy water or a leak detector, or similar.
- The transformer must be fitted by a licensed person.
- Test fire the heater and check the gas pressure. All pressure details are on the data plate, or refer to page 6.
- If the heater cannot be adjusted properly contact Parasol Heaters Australia.
- This appliance is to be installed only by an authorised person.

## LIGHTING INSTRUCTIONS

### To Light Heater

- Turn Power 'ON'

### To Turn Heater Off

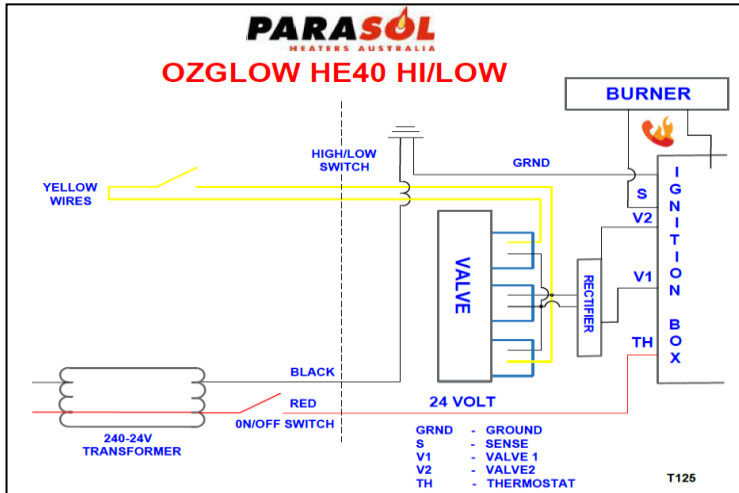
- Turn Power 'OFF'

### Caution:

If heater fails to light turn power 'OFF' for 5 minutes then turn the power 'ON' again.

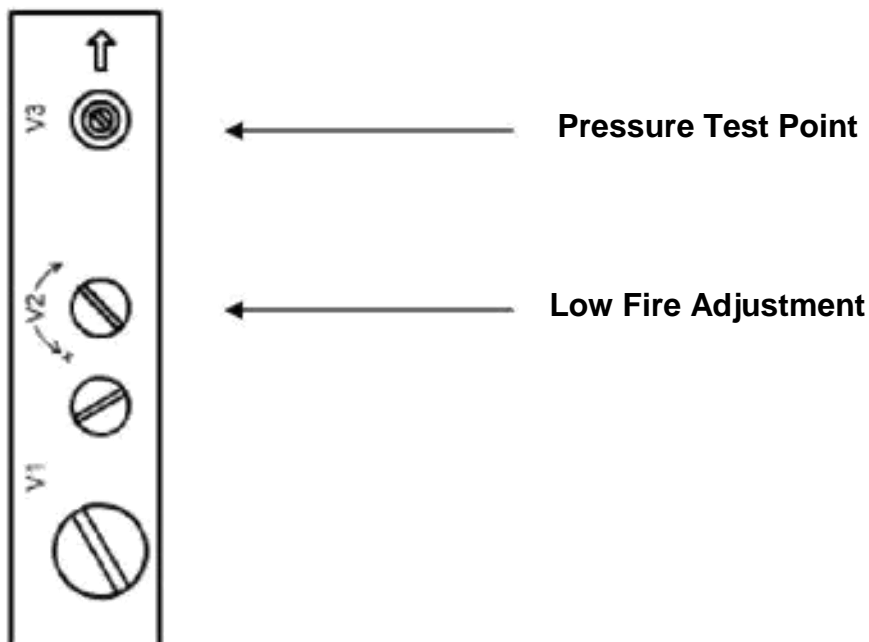


## WIRING DIAGRAM



- The red and the black wires are to be connected to the 24 VAC transformer.
  - The two yellow wires receive 24 VAC power from within the appliance.
- When these wires are joined via a switch the heater is on high fire.

## GAS VALVE ADJUSTMENT SCREWS DIAGRAM



## WARRANTY

- All OZGLOW heaters are serial numbered.
- Domestic use: The Parasol OZGLOW heater is covered by a 12-month warranty for domestic use.
- Commercial use: The Parasol OZGLOW heater is covered by a 90-day warranty for commercial use.
- **Warranty is limited to the heater head being returned to our factory for repair or replacement parts.**
- **Parasol Heaters Australia will not cover any expenses involved in the return of a heater for a warranty repair.**
- **Parasol Heaters Australia Pty Ltd will not be liable for any other expenses to the customer, except as stated above.**

**This heater is manufactured in Australia by:**

**PARASOL HEATERS AUSTRALIA  
12 Yiannis Court  
Springvale VIC 3171  
Australia.**